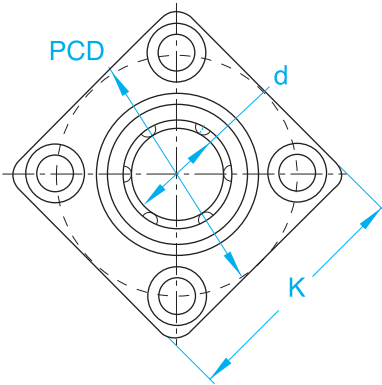
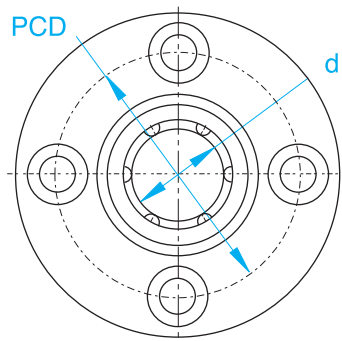


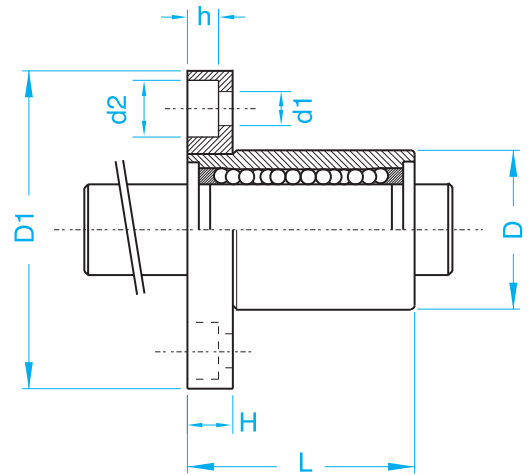
### Flange Type



Type : D



Type : N



Unit : mm

| Model No. | Basic Dimension |    |                  |     |                  |     |                   |     |     |    |     |     | Load (Kgf) |                         | Weight(g) |                          |      |      |
|-----------|-----------------|----|------------------|-----|------------------|-----|-------------------|-----|-----|----|-----|-----|------------|-------------------------|-----------|--------------------------|------|------|
|           | d               | D  | D tolerance (μm) | L   | L tolerance (μm) | D1  | D1 tolerance (μm) | H   | PCD | K  | d1  | d2  | h          | Dynamic load rating(Ca) |           | Static load rating (Coa) |      |      |
| LF6UU     | 6               | 12 | 0-11             | 19  | 0<br>-20         | 28  | 0<br>-20          | 5   | 20  | 22 | 3.4 | 6.5 | 3.3        | 200                     | 206       | 26.5                     |      |      |
| LF8UU     | 8               | 15 | 0                | 24  |                  | 32  |                   | 5   | 24  | 25 | 3.4 | 6.5 | 3.3        | 260                     | 400       | 40                       |      |      |
| LF10UU    | 10              | 19 |                  | 29  |                  | 40  |                   | 6   | 29  | 30 | 4.5 | 8   | 4.4        | 370                     | 540       | 78                       |      |      |
| LF12UU    | 12              | 21 | -13              | 30  |                  | 42  |                   | 6   | 32  | 32 | 4.5 | 8   | 4.4        | 410                     | 290       | 76                       |      |      |
| LF16UU    | 16              | 28 |                  | 37  |                  | 48  |                   | 6   | 38  | 37 | 4.5 | 8   | 4.4        | 770                     | 1170      | 134                      |      |      |
| LF20UU    | 20              | 32 | 0                | 42  |                  | 54  |                   | 8   | 43  | 42 | 5.5 | 9.5 | 5.4        | 860                     | 1370      | 180                      |      |      |
| LF25UU    | 25              | 40 | -16              | 59  |                  | 62  |                   | 8   | 51  | 50 | 5.5 | 9.5 | 5.4        | 980                     | 1560      | 340                      |      |      |
| LF30UU    | 30              | 45 |                  | 64  |                  | 74  |                   | 10  | 60  | 58 | 6.6 | 11  | 6.5        | 1560                    | 2740      | 460                      |      |      |
| LF40UU    | 40              | 60 | 0                | 80  |                  | 0   |                   | 96  | 0   | 13 | 78  | 75  | 9          | 14                      | 8.6       | 2150                     | 4010 | 1054 |
| LF50UU    | 50              | 80 | -19              | 100 |                  | -30 |                   | 116 | -30 | 13 | 98  | 92  | 9          | 14                      | 8.6       | 3820                     | 7830 | 2200 |

Note : UU with oil seals in ends